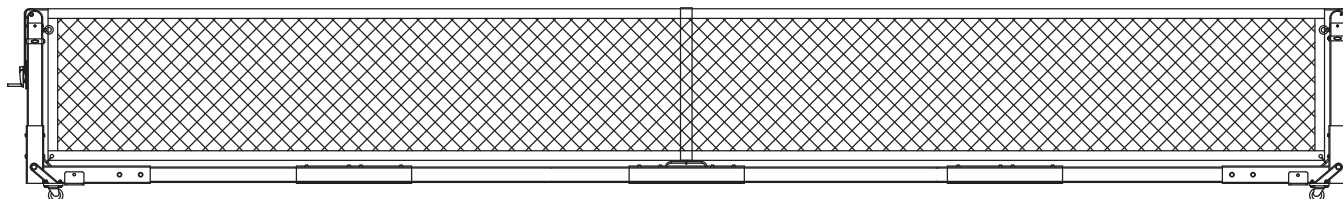


PRO-PICKLE

www.puttermanathletics.com

FLIPDOWN PORTABLE NET SYSTEM

ASSEMBLY INSTRUCTIONS AND OWNER'S MANUAL



Thank you for purchasing our flipdown portable pickleball net system. If you have any questions with your portable pickleball net system, please visit Putterman Athletic website at www.puttermanathletics.com or call 1-800-621-0146 for more information.

Read this manual completely before starting assembly.

Required tools:



Box-end Wrench



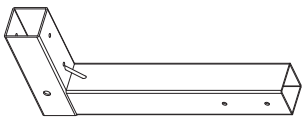
Adjustable Wrench



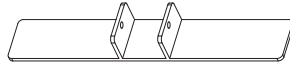
Allen Key

PARTS LIST

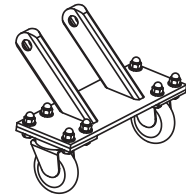
| REF | DESCRIPTION | QTY |
|-----|---|-----|
| A | End Couplers | 2 |
| B | Stabilizer Legs | 2 |
| C | Flip-down Wheel Set | 2 |
| D | End Cross-members(with holes) | 2 |
| E | Middle Cross-members | 2 |
| F | Center Coupler (with a hook for center strap) | 1 |
| G | Side Couplers | 2 |
| H | Left Post with winder | 1 |
| I | Right Post | 1 |



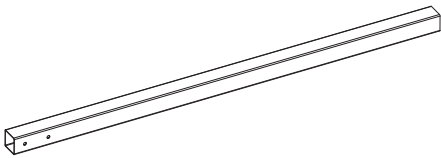
A



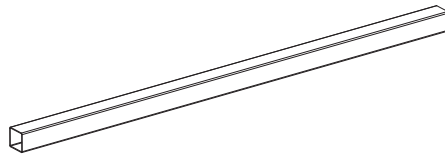
B



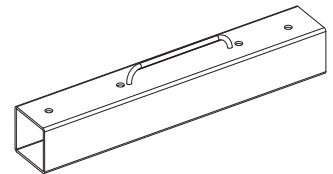
C



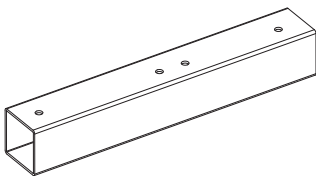
D



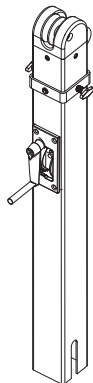
E



F



G



H

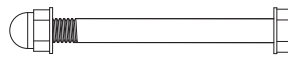


I

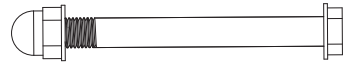
REQUIRED FOR THIS PAGE :



1/2" x 3/8" Set Screws



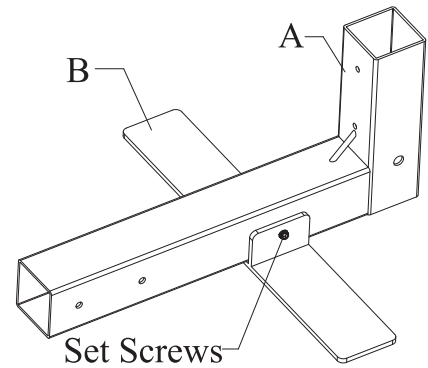
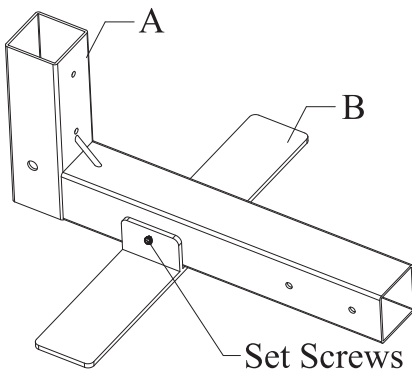
1/2" x 5-1/8" Hex Bolts



5/8" x 6-5/16" Hex Bolts

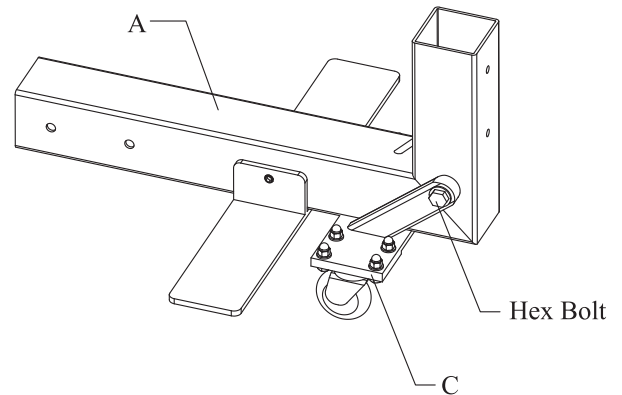
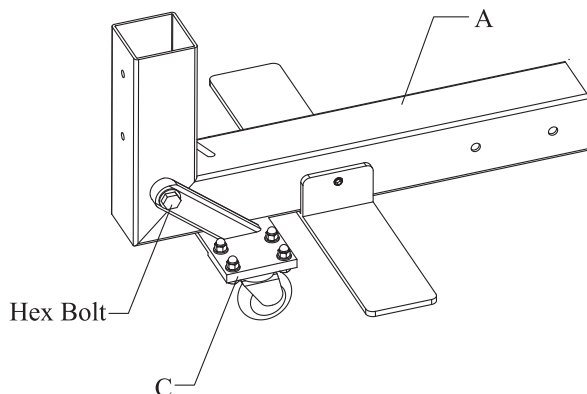
STEP 1

Put the End Couplers (A) on the Stabilizer Legs (B), then fix them with Set Screws as shown.

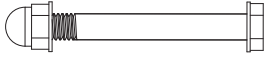


STEP 2

Attach the Flip-down Wheel Sets (C) to the End Couplers (A) with 5/8" x 6-5/16" Hex Bolts as shown.



REQUIRED FOR THIS PAGE:



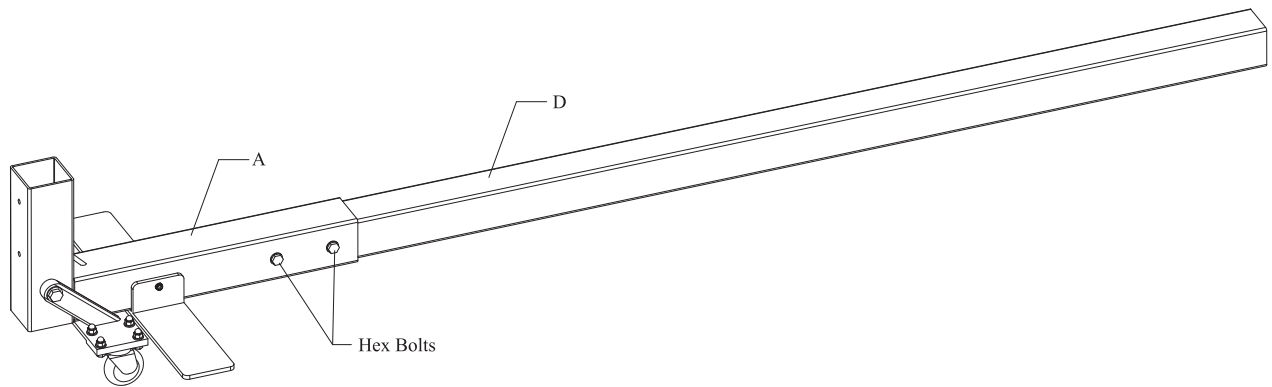
1/2" x 4-5/16" Hex Bolts



1/2" x 3/8" Set Screws

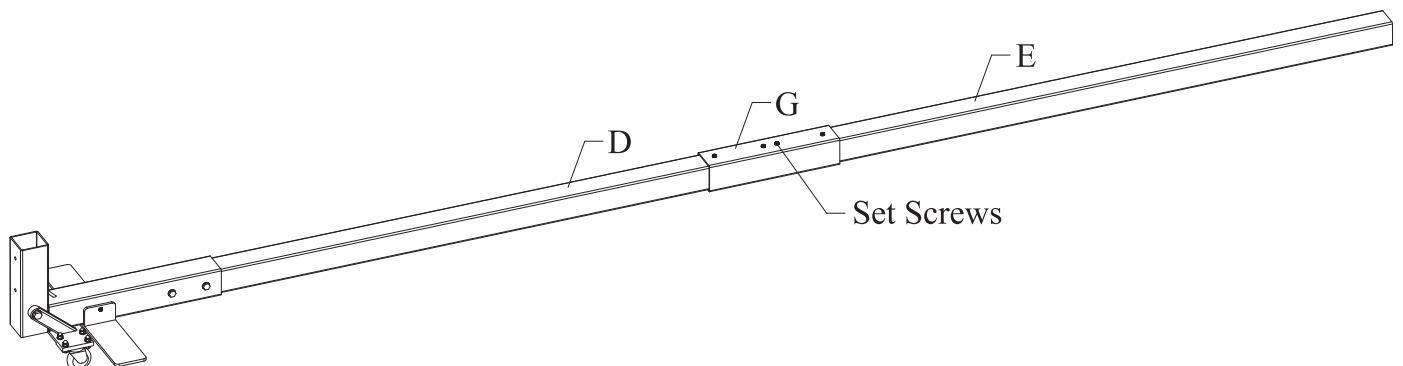
STEP 3

Slide the End Cross-member (D) into the End Coupler (A), then tighten them up with 1/2" x 4-5/16" Hex Bolts as shown.

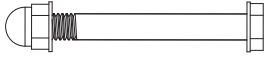


STEP 4

Connect the End Cross-member (D) and the Middle Cross-member (E) with the Side Coupler (G), then secure them with Set Screws as shown.



REQUIRED FOR THIS PAGE:



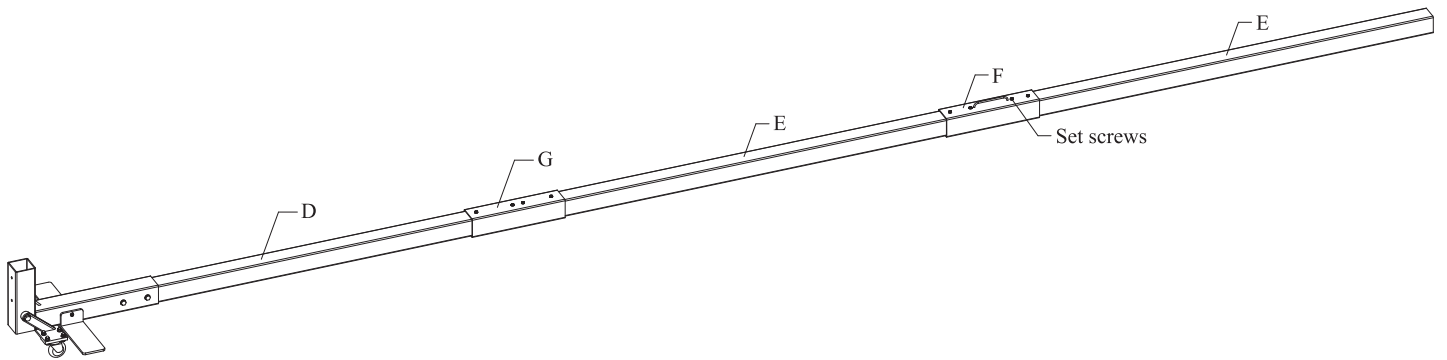
1/2" x 4-5/16" Hex Bolts



1/2" x 3/8" Set Screws

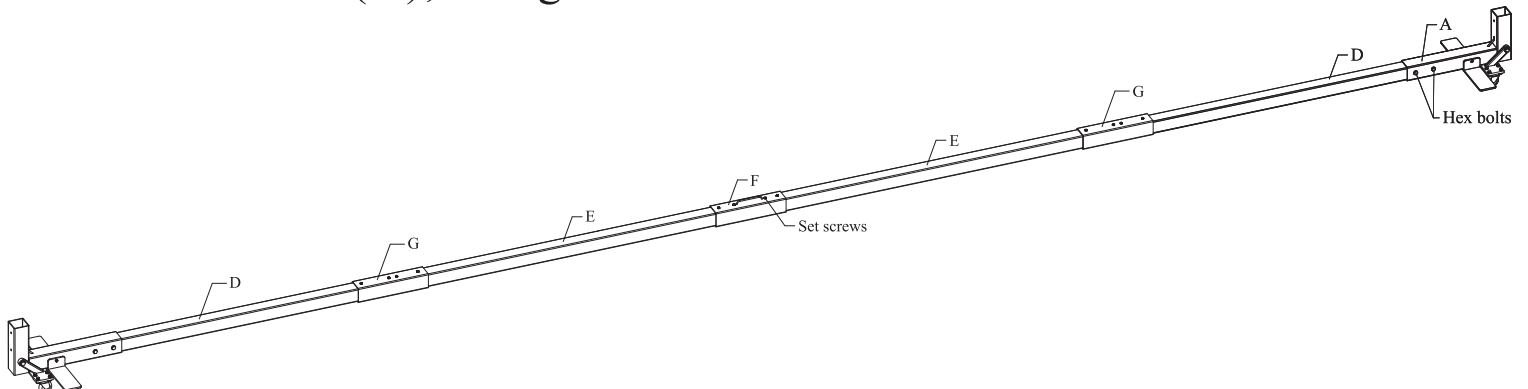
STEP 5

Connect the Middle Cross-member (E) together using Center Coupler (F), then use Set Screws to secure all parts.

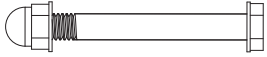


STEP 6

Connect the End Cross-member (D) with the Middle Cross-member (E) using the Side Coupler (G), then secure all parts with the Set Screws as shown. Next, attach the other End Coupler (A) to the End Cross-member (D), using the 1/2" x 4-5/16" Hex Bolts as shown.



REQUIRED FOR THIS PAGE:



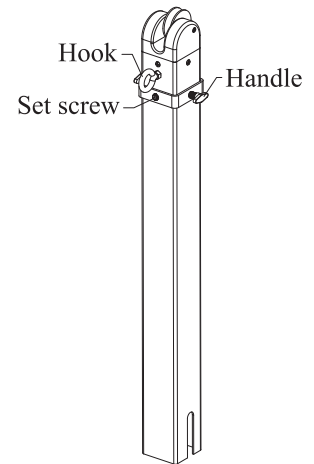
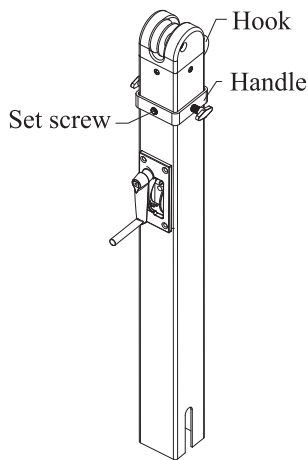
1/2" x 4-5/16" Hex Bolts



1/2" x 3/8" Set Screws

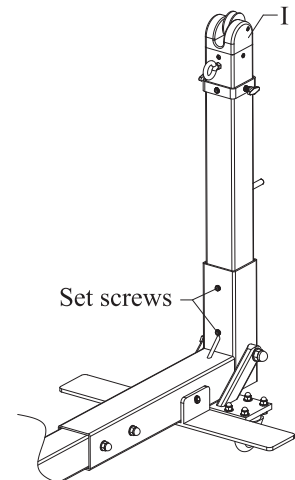
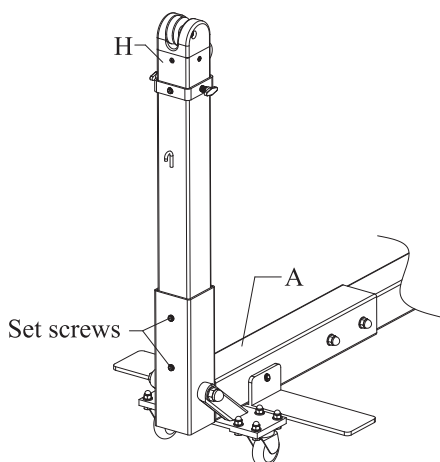
STEP 7

Fix lifting collar in position with set screws and handles, then attach the hook to the post as shown. Repeat this process to install the other post as shown.



STEP 8

Slide the Left Pickleball Post (H) into the End Coupler (A), then use Set Screws to tighten the post in place. Repeat this process to install the other Right Pickleball Post (I) as shown.

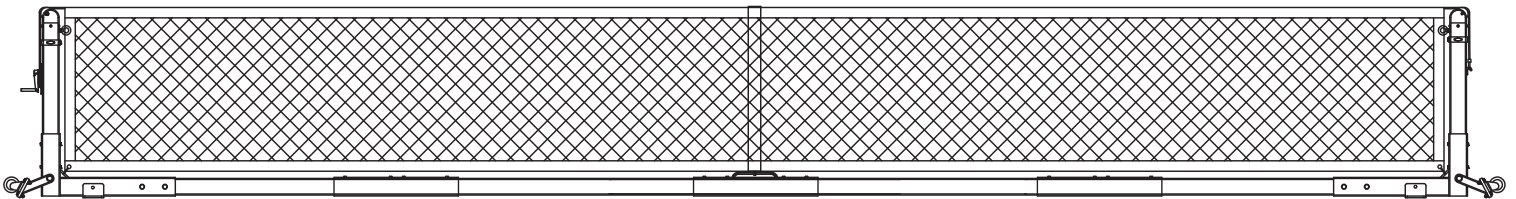


STEP 9

Install the net to the pickleball system as shown.

* Net should be tighten until the center of the net is 34 ½" to 35" tall. Then, pulled down to meet the 34" playing height at the middle of the net.

* Do not overtighten the net.



Maintenance

Add lithium grease to the winder and ratchet as needed for smooth operation.

